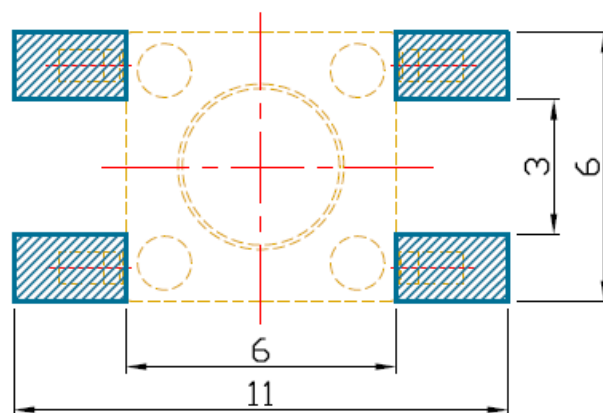
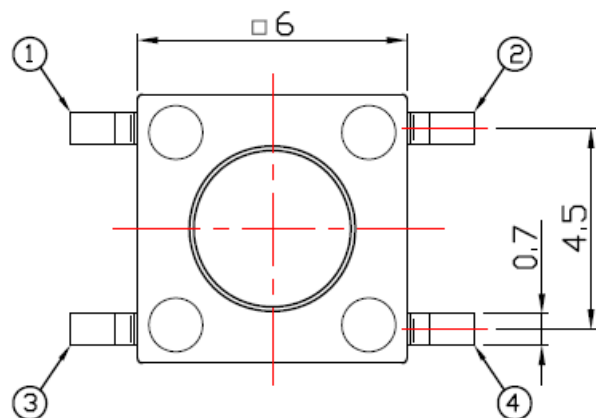


NOTES

1. RATINGS : 50mA, DC 12V
2. CIRCUIT : 1C - 1P
3. OPERATING FORCE :
 a. $160 \pm 30 \text{gf} = (\text{N})$
 b. $260 \pm 50 \text{gf} = (\text{R})$
4. CONTACT RESISTANCE : 100m Ω Max.
5. TRAVEL : $0.25 \pm 0.1 \text{ mm}$
6. LIFE : 100,000 Cycles Min.
7. KNOB COLOR : Black, Red



P.C.B MOUNTING PATTERN DIMENSION

TS01M-J	6.5	TS01M-J	3.4
TS01M-I	6.0	TS01M-I	3.4
TS01M-H	8.0	TS01M-H	3.4
TS01M-G	10.0	TS01M-G	3.0
TS01M-F	12.5	TS01M-F	3.0
TS01M-D	9.5	TS01M-D	3.4
TS01M-C	7.0	TS01M-C	3.4

B	9m	TS01M-B	5.0	TS01M-B	3.5
A	8mm	TS01M-A	4.3	TS01M-A	3.5
L	MODEL NO.	H	MODEL NO.	ϕA	


 銓基電子股份有限公司
 ROKI ELECTRONICS CO., LTD.

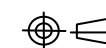
PART NAME : TACT SWITCH

SCALE :

PART NO : TS01M-□□-□-S1-PF

UNIT : mm

TOLERANCE : $\pm 0.2 \text{ mm}$



VER : R03